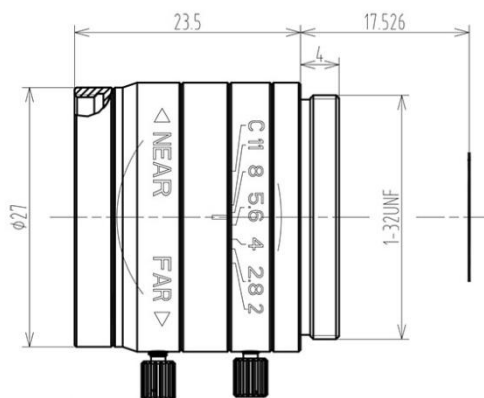


- ◆ 品牌：中联科创（ZLKC）
- ◆ 规格：1/1.8" C 型 f=25mm F2.0
- ◆ 多层镀膜，有效抑制杂光和鬼像
- ◆ 5 百万像素大景深影像
- ◆ 高分辨率、大景深、无畸变
- ◆ 轻巧型，抗震性能好
- ◆ 适用工业检测，机器视觉等



产品规格书：

| 500 万像素 25mm 手动光圈镜头 C Mount             |                         | 物距<br>Working Distance | 倍率<br>Optical Magnification | 视野<br>1/1.8" Field of View(mm) |       |       |
|---|-------------------------|------------------------|-----------------------------|--------------------------------|-------|-------|
| 型号 Model                                | VM2520MP5               | mm                     | -                           | H                              | V     |       |
| 像机尺寸 Image Size                         | 1/1.8-inch              | 900                    | 0.028X                      | 254.4                          | 190.8 |       |
| 焦距 Focal length                         | 25mm                    | 850                    | 0.030X                      | 240.1                          | 180.1 |       |
| 光圈范围 F No.                              | F2.0-C                  | 800                    | 0.032X                      | 225.7                          | 169.3 |       |
| 最短物距 M.O.D(m)                           | 0.1-Inf.                | 750                    | 0.034X                      | 211.4                          | 158.5 |       |
| 控制方式<br>Operation                       | Iris                    | Manual 手动调整            | 700                         | 0.036X                         | 197   | 147.8 |
|   | Focus                   | Manual 手动调整            | 650                         | 0.039X                         | 182.6 | 137   |
| 视场角<br>Horizontal Angle of View (D×H×V) | 1/1.8"                  | 19.0°×13.6°×11.3°      | 600                         | 0.043X                         | 168.3 | 126.2 |
|   | 1/2.5"                  | 16.2°×13.4°×10.3°      | 550                         | 0.047X                         | 153.9 | 115.4 |
|   | 1/3"                    | 13.8°×11.4°×8.8°       | 500                         | 0.051X                         | 139.6 | 104.7 |
| 畸变 Distortion                           | <0.1%                   |                        | 450                         | 0.057X                         | 125.2 | 93.9  |
| 光学后焦 BFL                                | 13.7mm                  |                        | 400                         | 0.065X                         | 110.8 | 83.1  |
| 接口 Mount                                | C-Mount                 |                        | 350                         | 0.074X                         | 96.5  | 72.3  |
| 近摄视野 Object Dimension                   | 82.1mm×61.6mm(WD=300mm) |                        | 300                         | 0.088X                         | 82.1  | 61.6  |
| 外形尺寸 Dimension                          | Φ26.8×23mm              |                        | 250                         | 0.106X                         | 67.7  | 50.8  |
| 重量 Weight                               | 31.0g                   |                        | 200                         | 0.135X                         | 53.3  | 40    |
| 滤镜尺寸 Filter Thread                      | M25.5x 0.5              |                        | 150                         | 0.186X                         | 38.9  | 29.2  |
| 工作温度 Working Temperature                | -20°C ~ +60°C           |                        | 100                         | 0.296X                         | 24.4  | 18.3  |