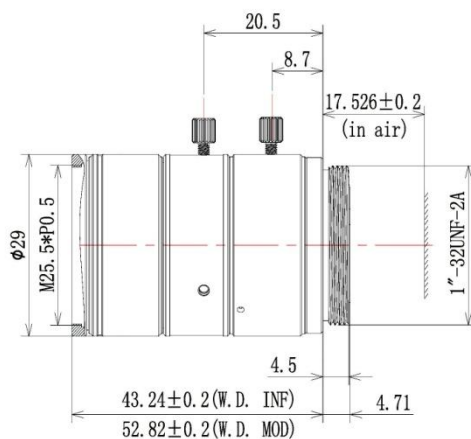


FEATURES

- ◆ Brand: ZLKC
- ◆ 2/3" C-Mount 35mm F2.0 10MP
- ◆ Shorter Working Distance
- ◆ Ensures Corner Brightness
- ◆ Nominal Distortion Design
- ◆ Compact design


SPECIFICATION
Low WD Lenses 35mm 2/3" C Mount 10MP

Model	LM3520MP10	
Image circle	2/3-inch (Φ 11.4)	
Focal length	35mm ± 5%	
F No.	F2.0-16	
M.O.D(m)	0.2-Inf.	
Operation	Iris	Manual
	Focus	Manual
Horizontal Angle of View	2/3"Type	16.5°×12.8°×10.7°
	1/1.8"Type	13.5°×11.7°×7.4°
	1/2"Type	12.1°×9.6°×7.2°
Distortion	At 0.4m	-0.03%
Back focal length	14.39mm	
Flange Back Focal Length	17.526mm	
Mount	C-Mount	
Relative Illumination	71%	
(CRA)	8.5°	
Dimension	Φ29x43.24mm	
Weight	66.8g	
(Lens structure)	5groups, 8elements	
Filter Thread	M25.5*P0.5	
Working Temperature	-20°C ~ +60°C	