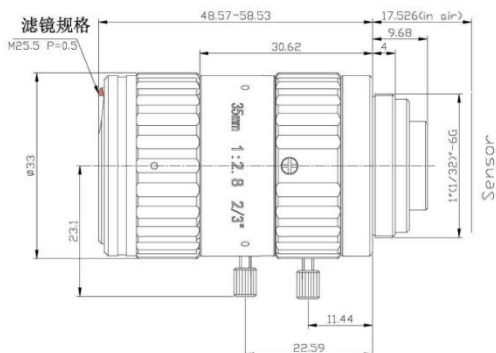


FEATURES

- ◆ Lens Brand: ZLKC
- ◆ 2/3" C-Mount 35mm 10MP
- ◆ Excellent brightness
- ◆ High resolution, low distortion
- ◆ Anti-shock, compact appearance


SPECIFICATION

10MP 35mm Industrial Lens C Mount		Working Distance	Optical Magnification	2/3" Field of View (mm)		
Model	FM3528MP10	mm	-	H	V	
Image Size	2/3-inch	2000	0.018X	496.7	372.5	
Focal length	35mm	1000	0.035X	251.4	188.6	
F No.	F2.8-16	900	0.039X	226.3	169.7	
M.O.D(m)	0.1-Inf.	850	0.041X	213.7	160.3	
Operation	Iris	Manual	800	0.044X	201.1	150.9
	Focus	Manual	750	0.047X	188.6	141.4
Angle of View (D×H×V)	2/3"	17.9°×14.3°×10.8°	700	0.050X	176.0	132.0
	1/2"	13°×10.4°×7.8°	650	0.054X	163.4	122.6
	1/3"	9.8°×7.8°×5.9°	600	0.058X	150.9	113.1
Operating Wavelength	400nm~700nm	550	0.064X	138.3	103.7	
TV Distortion	-0.06%	500	0.070X	125.7	94.3	
BFL	10.0mm	450	0.078X	113.1	84.9	
Flange FL	17.526mm	400	0.088X	100.6	75.4	
Mount	C-Mount	350	0.100X	88.0	66.0	
2/3"FOV	75.4mm×56.6mm(WD=300mm)	300	0.117X	75.4	56.6	
Dimension	Φ33×48.7mm	280	0.125X	70.4	52.8	
Weight	112.0g	250	0.140X	62.9	47.1	
Resolution	10MP	200	0.175X	50.3	37.7	
Filter	M27 P=0.5mm	150	0.233X	37.7	28.3	
Working Temperature	-20°C ~ +60°C	100	0.350X	25.1	18.9	