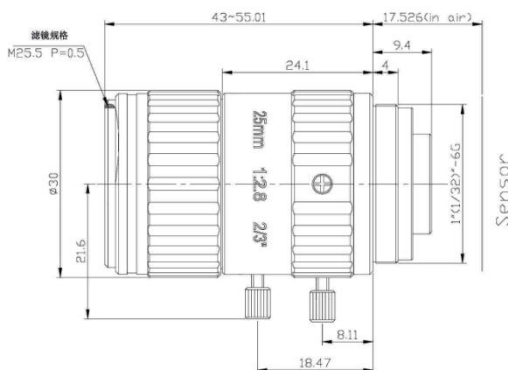


FEATURES

- ◆ Lens Brand: ZLKC
- ◆ 2/3" C-Mount 25mm 10MP
- ◆ Excellent brightness
- ◆ High resolution, low distortion
- ◆ Anti-shock, compact appearance

SPECIFICATION


10MP 25mm Industrial Lens C Mount		Working Distance	Optical Magnification	2/3" Field of View (mm)	
Model	FM2528MP10	mm	-	H	V
Image Size	2/3-inch	1000	0.025X	352.0	264.0
Focal length	25mm	900	0.028X	316.8	237.6
F No.	F2.8-16	850	0.029X	299.2	224.4
M.O.D(m)	0.1-Inf.	800	0.031X	281.6	211.2
Operation	Iris	Manual	750	0.033X	264.0
	Focus	Manual	700	0.036X	246.4
Angle of View (DxHxV)	2/3"	25°x20°x15°	650	0.038X	228.8
	1/2"	18.2°x14.6°x11°	600	0.042X	211.2
	1/3"	13.7°x11.0°x8.2°	550	0.045X	193.6
Operating Wavelength	400nm~700nm	500	0.050X	176.0	132.0
TV Distortion	-0.3%	450	0.056X	158.4	118.8
BFL	10.07mm	400	0.063X	140.8	105.6
Flange FL	17.526mm	350	0.071X	123.2	92.4
Mount	C-Mount	300	0.083X	105.6	79.2
2/3"FOV	70.4mmx52.8mm(WD=200mm)	250	0.100X	88.0	66.0
Dimension	Φ30x43mm	220	0.114X	77.4	58.1
Weight	74.5.0g	200	0.125X	70.4	52.8
Resolution	10MP	180	0.139X	63.4	47.5
Filter	M25.5 P=0.5mm	150	0.167X	52.8	39.6
Working Temperature	-20°C ~ +60°C	100	0.250X	35.2	26.4