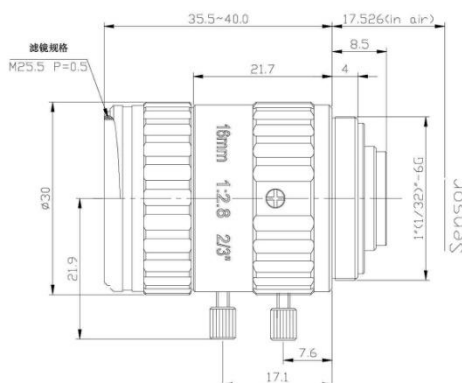


FEATURES

- ◆ Lens Brand: ZLKC
- ◆ 2/3" C-Mount 16mm 10MP
- ◆ Excellent brightness
- ◆ High resolution, low distortion
- ◆ Anti-shock, compact appearance


SPECIFICATION

10MP 16mm Industrial Lens C Mount		Working Distance	Optical Magnification	2/3" Field of View (mm)		
Model	FM1628MP10	mm	-	H	V	
Image Size	2/3-inch	1000	0.016X	550.0	412.5	
Focal length	16mm	900	0.018X	495.0	371.3	
F No.	F2.8-16	850	0.019X	467.5	350.6	
M.O.D(m)	0.1-Inf.	800	0.020X	440.0	330.0	
Operation	Iris	Manual	750	0.021X	412.5	309.4
	Focus	Manual	700	0.023X	385.0	288.8
Angle of View (D×H×V)	2/3"	37.9°×30.8°×23.3°	650	0.025X	357.5	268.1
	1/2"	28.1°×22.6°×17.1°	600	0.027X	330.0	247.5
	1/3"	21.9°×19.2°×10.7°	550	0.029X	302.5	226.9
Operating Wavelength	400nm~700nm	500	0.032X	275.0	206.3	
TV Distortion	-0.2%	450	0.036X	247.5	185.6	
BFL	9.88mm	400	0.040X	220.0	165.0	
Flange FL	17.526mm	350	0.046X	192.5	144.4	
Mount	C-Mount	300	0.053X	165.0	123.8	
2/3"FOV	165mm×123.8mm(WD=300mm)	280	0.057X	154.0	115.5	
Dimension	Φ30×35.5mm	250	0.064X	137.5	103.1	
Weight	75.0g	220	0.073X	121.0	90.8	
Resolution	10MP	200	0.080X	110.0	82.5	
Filter	M25.5 P=0.5mm	180	0.089X	99.0	74.3	
Working Temperature	-20°C ~ +60°C	150	0.107X	82.5	61.9	