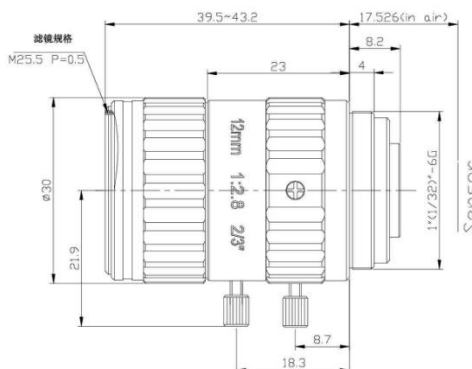


**FEATURES**

- ◆ Lens Brand: ZLKC
- ◆ 2/3" C-Mount 12mm 10MP
- ◆ Excellent brightness
- ◆ High resolution, low distortion
- ◆ Anti-shock, compact appearance

**SPECIFICATION**


10MP 12mm Industrial Lens C Mount		Working Distance	Optical Magnification	2/3" Field of View (mm)	
Model	<b>FM1228MP10</b>	mm	X	H	V
Image Size	2/3-inch	1000	0.012X	733.3	550.0
Focal length	12mm	900	0.013X	660.0	495.0
F No.	F2.8-16	850	0.014X	623.3	467.5
M.O.D(m)	0.1-Inf.	800	0.015X	586.7	440.0
Operation	Iris	Manual	750	0.016X	550.0
	Focus	Manual	700	0.017X	513.3
Angle of View (DxHxV)	2/3"	49.2°x40.2°x30.8°	650	0.018X	476.7
	1/2"	36.9°x29.9°x22.6°	600	0.020X	440.0
	1/3"	28.1°x22.6°x17.1°	550	0.022X	403.3
Operating Wavelength	400nm~700nm	500	0.024X	366.7	275.0
TV Distortion	-0.2%	450	0.027X	330.0	247.5
BFL	9.88mm	400	0.030X	293.3	220.0
Flange FL	17.526mm	350	0.034X	256.7	192.5
Mount	C-Mount	300	0.040X	220.0	165.0
2/3"FOV	7.33cmx5.5cm(WD=100mm)	250	0.048X	183.3	137.5
Dimension	Φ30x39.5mm	200	0.060X	146.7	110.0
Weight	75g	180	0.067X	132.0	99.0
Resolution	10MP	150	0.080X	110.0	82.5
Filter	M25.5 P=0.5mm	100	0.120X	73.3	55.0
Working Temperature	-20°C ~ +60°C	-	-	-	-